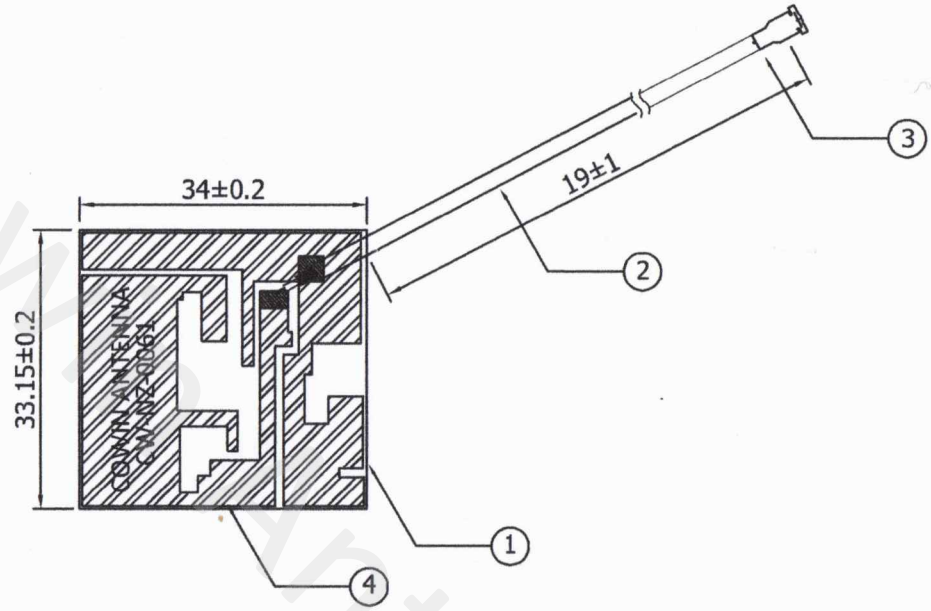


REV	Date	Description
X1	2021/06/29	New issue




受控文件
2021-06-28

印刷内容: COWIN ANTENNA
CW-NZ-0061
印刷颜色: 白色

Specification(Free test):
Frequency range: 698-960MHZ/1710-2700MHZ
Impedance: 50Ω
V.S.W.R: ≤5/4

Specification(Matching test):
Frequency range: 698-960MHZ/1710-2700MHZ
Impedance: 50Ω
V.S.W.R: ≤2

4	Gum back	33*29*4MM	1	
3	Connector	φ1.13 I-PEX I(equivalents)	1	
2	Cable	Φ1.13MM Black double tin wire	1	
1	PCB	34*33.15*0.8mm Green	1	
NO	Name	Description	Q'TY	Remark
XX	±5.0	Approved	 Cowin Antenna	
X	±3.0	Checked		
.X	±1.0			
.XX	±0.2	Drawing		
.XXX	±0.1			
		Customer		
		Part NO.		
		Part name	PCB Antenna	
		CW P/NO.	CW-NZ-0061	
		REV	Unit	File :
		X1	m/m	Sheet : 1/1