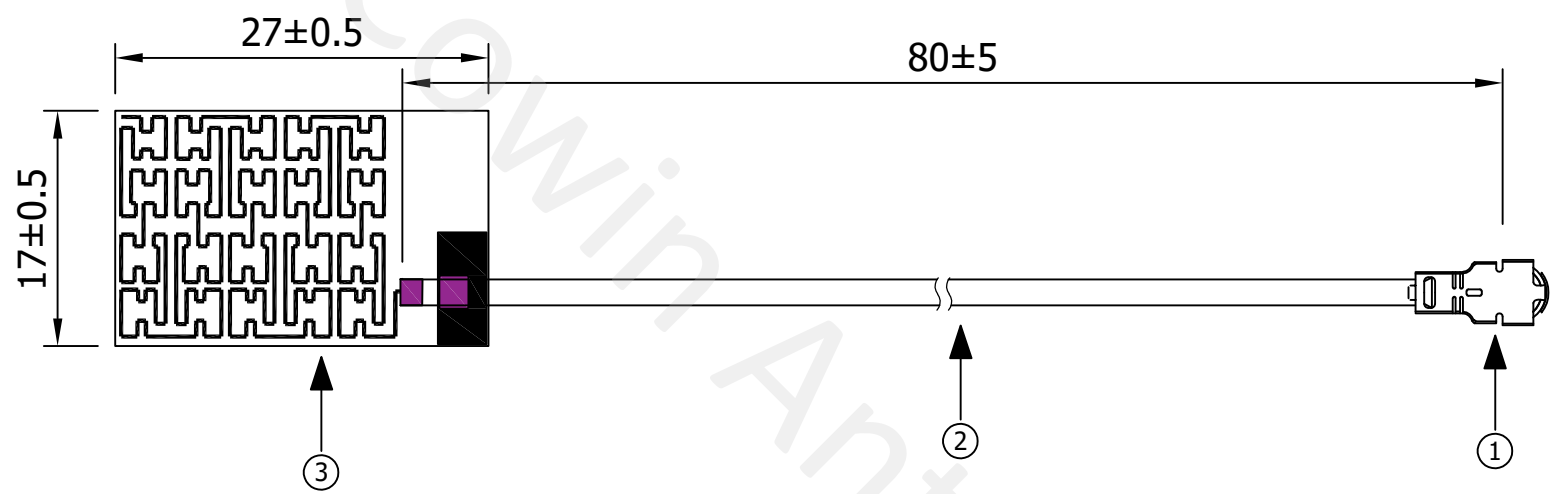


REV	Date	Description
X1	2022/06/23	New issue



Specification(Matching test):

Frequency Range:433MHZ

Impedance: 50Ω

V.S.W.R: ≤3.5

100% Continuity,short and open circuit test

Materials,parts and process must by environmentally (ROHS)

3	FPC	27*17*0.1mm Black	1	
2	Cable	Φ 1.13MM black double tin wire	1	
1	Connector	Φ1.13 I-PEX I(equivalents)	1	
NO	Name	Description	Q'TY	Remark

XX.	±5.0	Approved	Customer		
X.	±3.0		Part NO.		
.X	±1.0	Checked	Part name FPC Antenna		
.XX	±0.2		CW P/NO. CW-NZ-0104		
.XXX	±0.1	Drawing	REV	Unit	File :
⊕			X1	m/m	Sheet : 1/1

