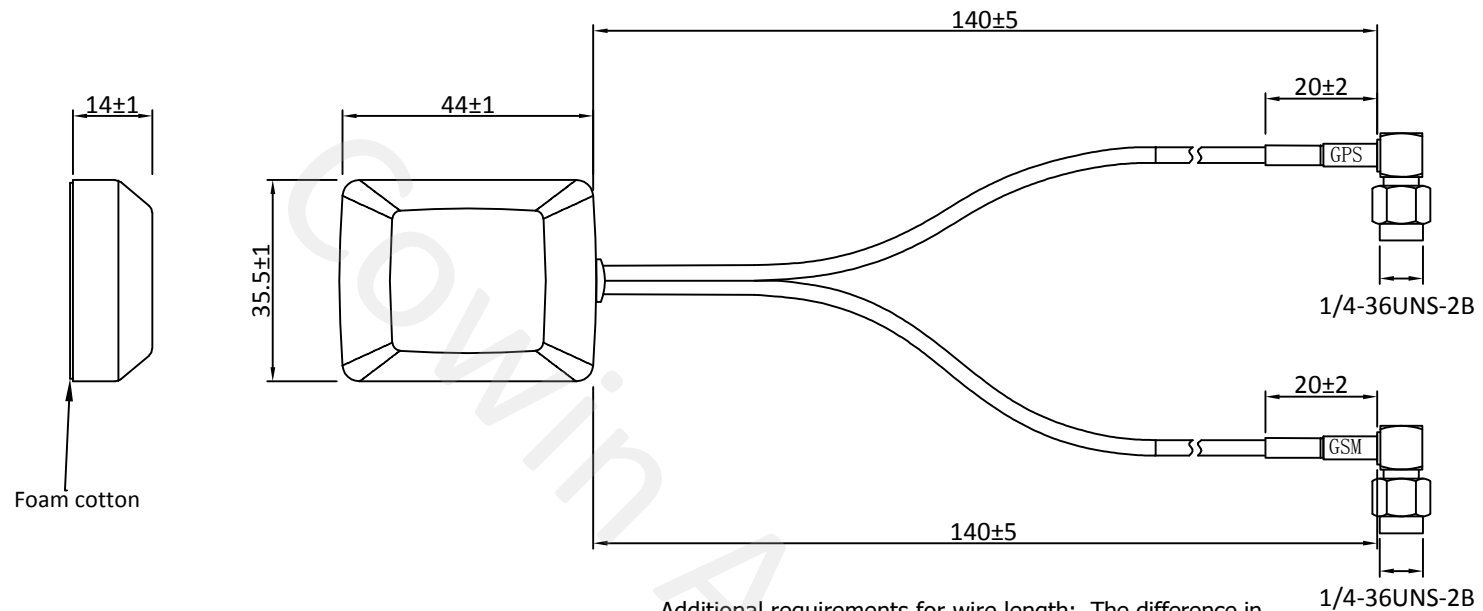


REV	Date	Description
X1	2024/05/29	New issue



Additional requirements for wire length: The difference in wire length between the same product should meet $\pm 2\text{mm}$

Specification(Free Test):


Frequency Range: 1560MHz -1605MHz
 Impedance: 50Ω
 V.S.W.R: ≤ 2.0
 100% Continuity,short and open circuit test
 Materials,parts and process must by environmentally (ROHS)

Specification(Free Test):

Frequency Range: 824-960MHz/1710-1990MHZ
 Impedance: 50Ω
 V.S.W.R: ≤ 2.0
 100% Continuity,short and open circuit test
 Materials,parts and process must by environmentally (ROHS)

9	Foam cotton	3M---42.5*34*1mm	1	Red
8	Lower cover	ABS	1	Black
7	Shell	ABS	1	Black
6	Heat shrink tubing	20mm Ordinary white printing	2	Black
5	Cable	RG174	2	Black
4	Ceramic antenna	25*25*4mm	1	
3	PCB	FR4	1	
2	Connector 2	90° SMA Male	1	Copper gold-plating
1	Connector 1	90° SMA Male	1	Copper gold-plating
NO	Name	Description	Q'TY	Remark

XX.	± 5.0	Approved	Customer		
X.	± 3.0		Part NO.		
.X	± 1.0	Checked	Part name		
.XX	± 0.2		CW P/NO.		
.XXX	± 0.1	Drawing	REV	Unit	File :
			X1	m/m	Sheet : 1/1



Cowin Antenna