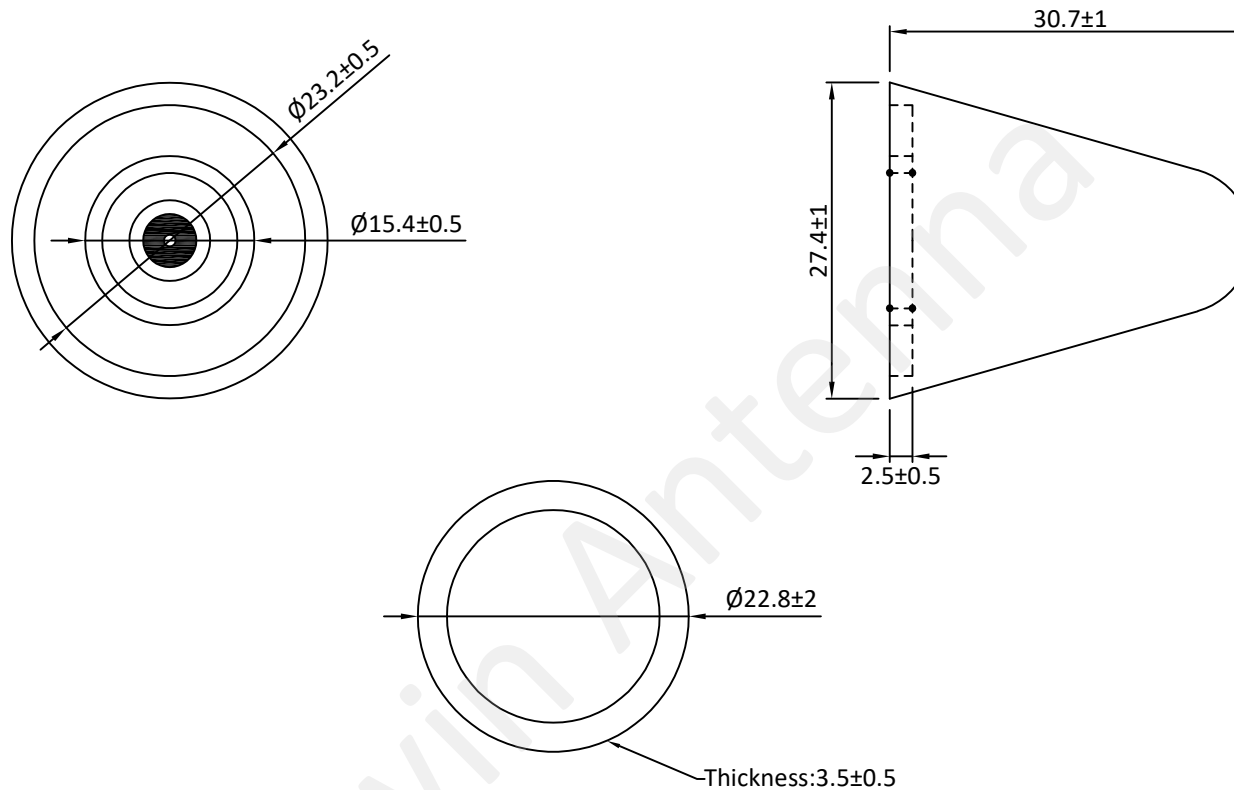


REV	Date	Description
X1	2024/02/20	New issue



**Specification(Free Test):**

Frequency Range: 2.4G-2.5G

Impedance:  $50\Omega$

V.S.W.R:  $\leq 2$

100% Continuity, short and open circuit test

Materials, parts and process must be environmentally (ROHS)

4	Radome	Black TPEE	1	
3	Signal tube	Spring-Copper	1	
2	Waterproof ring	Black silicone	1	
1	Connector	SMA male	1	
NO	Name	Description	Q'TY	Remark

XX.	$\pm 5.0$	Approved	Customer		
X.	$\pm 3.0$		Part NO.		
.X	$\pm 1.0$	Checked	Part name		
.XX	$\pm 0.2$		CW P/NO.		
.XXX	$\pm 0.1$	Drawing	REV	Unit	File :
			X1	m/m	Sheet : 1/1

  
**Cowin Antenna**