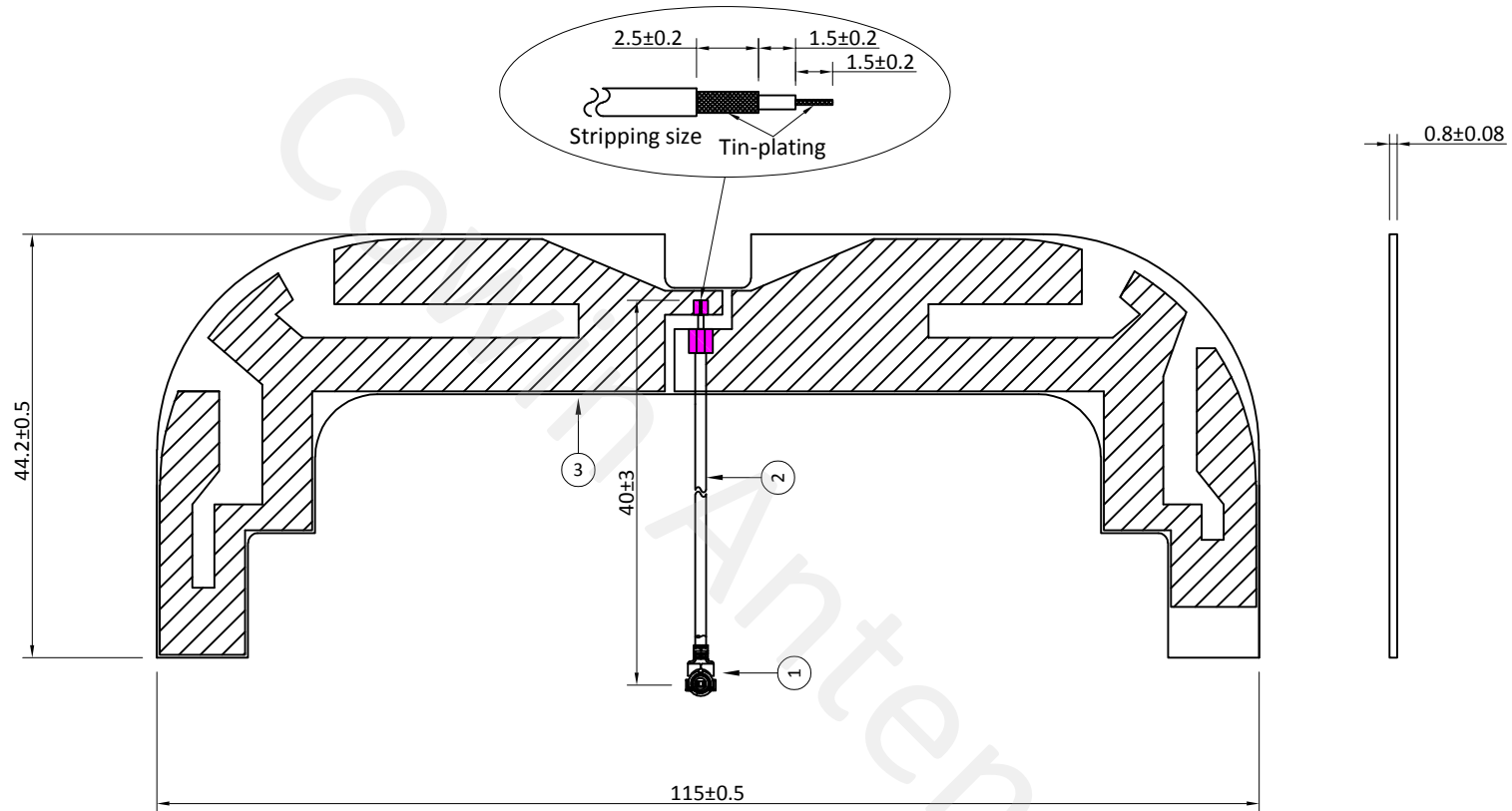


REV	Date	Description
X1	2024/11/20	New issue
X2	2024/12/05	Update PCB circuit



Specification(Matching test):

Frequency Range: 700-787/1710-2155MHz

Impedance: 50Ω

V.S.W.R: ≤4.0/3.0

100% Continuity,short and open circuit test

Materials,parts and process must by environmentally (ROHS)

3	PCB	FR4; 115*44.2*0.8mm	1	Black
2	Cable	Ø1.13mm Double tin cable	1	Black
1	Connector	RF1.13 I-PEX I(equivalents)	1	Copper gold-plating
NO	Name	Description	Q'TY	Remark

XX.	±5.0	Approved: Terry	Customer		
X.	±3.0		Part NO.		
.X	±1.0	Checked:	Part name		Internal Antenna
.XX	±0.2		CW P/NO.		CW-NZ-0240
.XXX	±0.1	Drawing: Gezhipeng	REV	Unit	File :
			X1	mm	Sheet : 1/1



Cowin Antenna